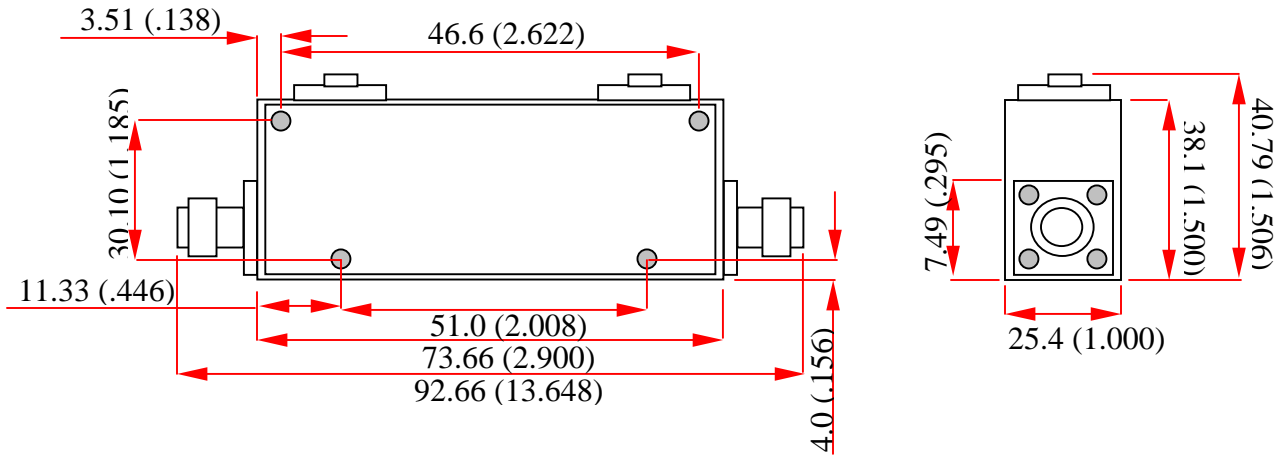


RADITEK INC.

**(Double Junction Coaxial Isolator, 1500-1800MHz, SMA Connectors, 2 Watts, 1000 Kilo Watts)
RADI-1500-1800M-S3-2W-(1000KW PEAK)**



Connector option table				
Port 1	Port 2	Iso	Circ Port 3 male	Circ Port 3 female
female	male	-1	-11	-21
male	female	-2	-12	-22
female	female	-3	-13	-23
male	male	-4	-14	-24

Specifications		
Frequency	1500-1800	MHz
Insertion Loss	0.6	dB
Isolation	43	dB
VSWR	1.18	:1
Connectors	SMA	
Average Power	2	Watts
Peak Power	1000	Kilo Watts

RADI-1500-1800M-S3-2W-(1000KW PEAK) *Specifications may be subject to change* **11/4/04**

WORLD HQ: 1702H Meridian Ave. Suite 127, San Jose, Ca 95125, U.S.A.
Telephone: (408) 266-7404 FAX: (408) 266-4483
WEB: www.raditek.com, E-mail: sales@raditek.com